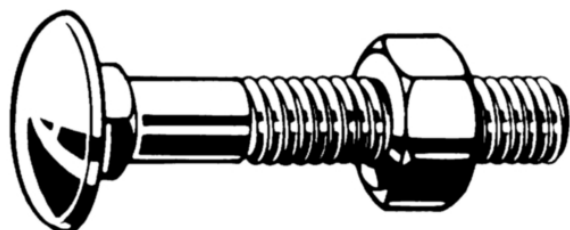


Slotbout met zeskantmoer DIN 603/555 Staal Elektrolytisch verzinkt 4.6 M8X20



| | |
|----------------|-------------------------------|
| Artikel nummer | 08250.080.020 |
| Merk | - |
| UBB | 950351602582 |
| UNSPSC | 31161612 |
| EAN | 8715492555199 |
| PKG. van 200 | Alleen volledige verpakkingen |

Technische parameters

| | |
|----------------------|---|
| Diameter (d-D) | M8 |
| Lengte (mm) | 20 |
| Remarks | The property class of the corresponding nuts is 4 as a minimum. |
| Klasse | 4.6 |
| Materiaalsoort | Staal |
| Draadrichting | Rechts |
| Oppervlaktebedekking | Elektrolytisch verzinkt |
| Draadsoort | Metrische schroefdraad |

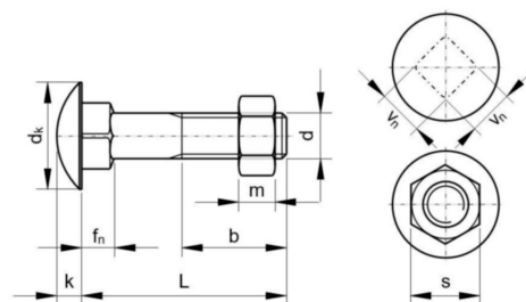
Standaarden

| | |
|-----|--------------------|
| NF | ≈E27-351 / E25-402 |
| BS | ≈4933/3692 |
| ISO | ≈8677/4034 |
| DIN | 603/555 |
| NEN | ≈303/697 |

Technische specificatie

| | |
|---|------|
| b (min.): $L \leq 125\text{mm}$ | 22 |
| k (max.) | 4.88 |
| b (min.): $L > 200\text{mm}$ | 41 |
| P | 1.25 |
| f_n (max.) | 5.6 |
| V_n (max.) | 8.58 |
| b (min.): $125\text{mm} < L \leq 200\text{mm}$ | 28 |

Technische tekening



s 13

d_k (max.) 20.65

m 6.5

SETTING THE STANDARD
IN FASTENING SOLUTIONS