



KIPP Tension levers 20 degrees, internal thread Stainless steel 1.4305/plastic M16X27

Article number	58016.160.027
Brand	-
UBB	500689449386
UNSPSC	31162807
EAN	4059245073474
PKG. of 1	Full Box Only

Technical Parameters

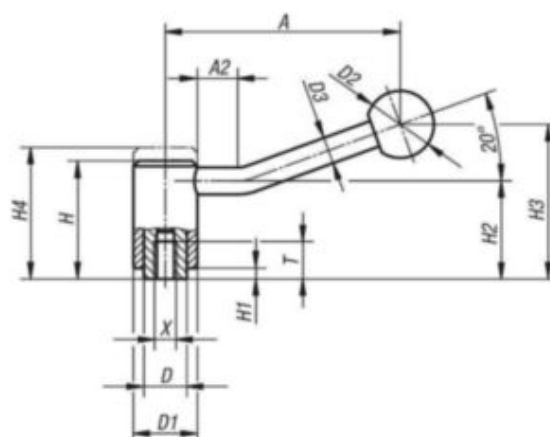
T	27
X	M16
Material	Stainless steel/ plastic
Material technical	1.4305
Thread	Metric thread
Info	Material: Steel parts in stainless steel, 1.4305, black plastic ball knob. Version: Steel parts bright. Ball knob polished.

Standards

Technical Specification

A	128.5
A ₂	15
D	30
D ₁	41
D ₂	32
D ₃	13
H	68.5
H ₂	56.5
H ₃	89.5
H ₄	76.5

Technical Drawing



H ₁	7.5
Number of teeth	36
T	27
X	M16