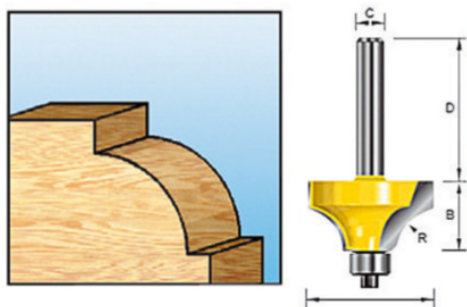


## Makita Edge milling cutter HM R5 S8



Article No.	8R917737
Brand	-
UBB	500661041052
UNSPSC	27112700
EAN	
PKG. of 1	Full Box Only

### Technical Parameters

Radius	5
--------	---

### Standards